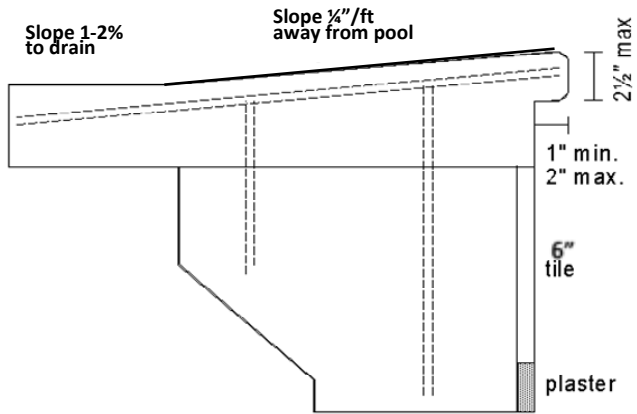
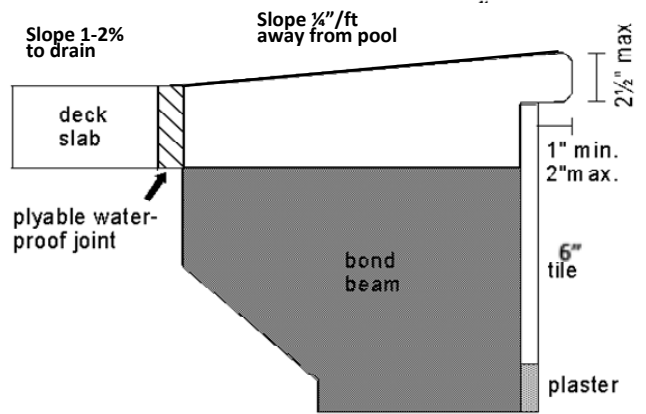


APPROVED COPING

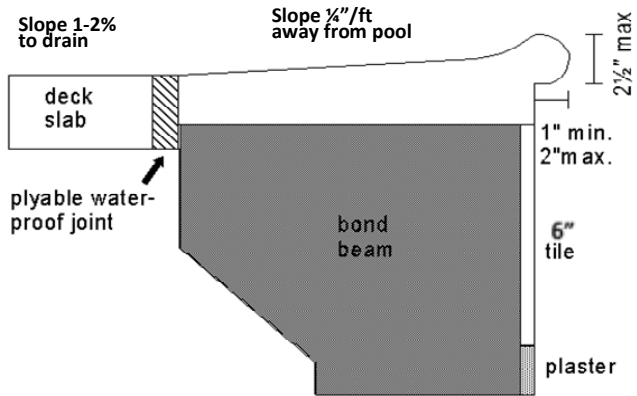
Monolithic Concrete Coping



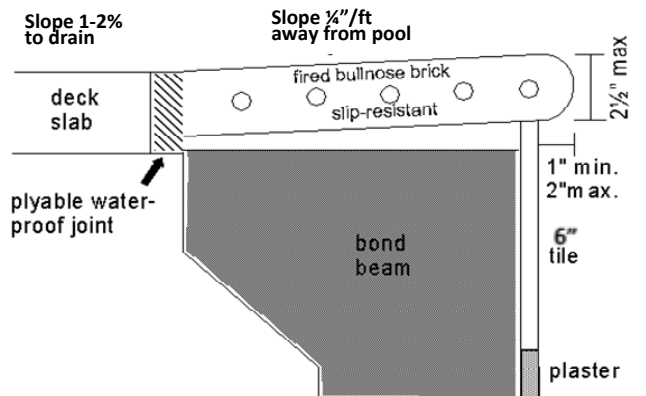
Cast-in-Place Concrete Coping



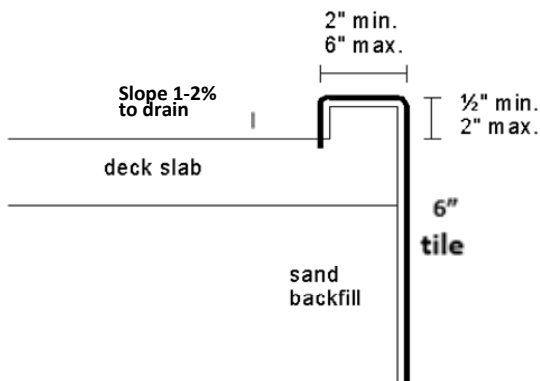
Precast Bullnose Coping



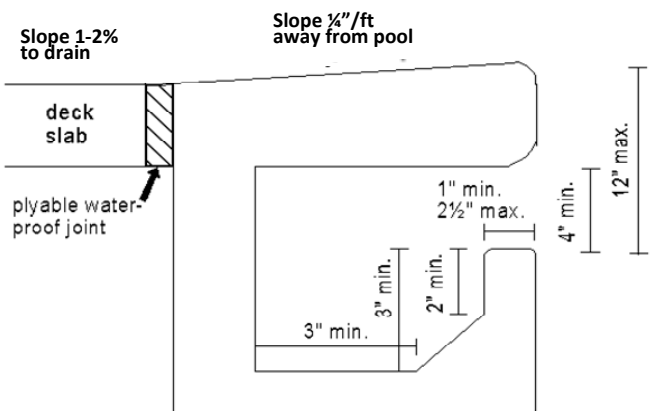
Brick Bullnose Coping



Fiberglass Spa Coping

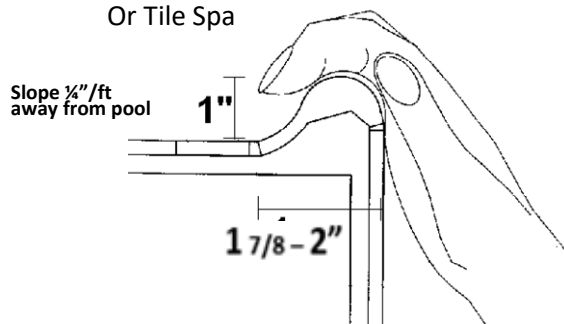


Perimeter Overflow Pools



Rim Flow Pools (C701 type)

Or Tile Spa



This page contains information adapted from Los Angeles County Department of Public Health's Public Pool Plan Approval Requirements